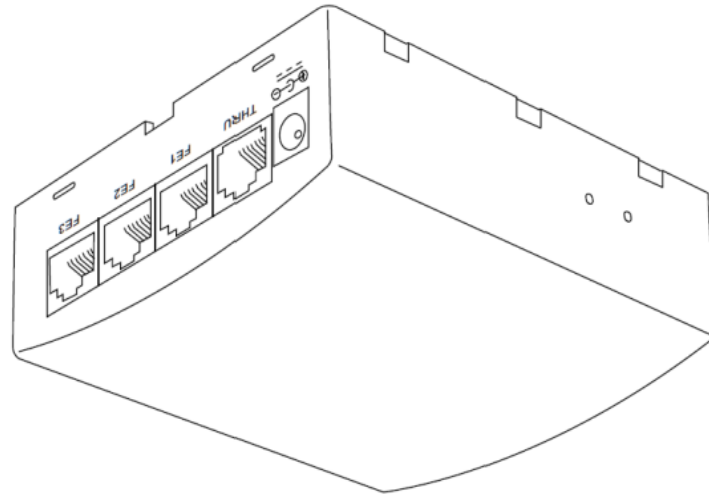




Zebra Technologies Corporation,  
Lincolnshire, IL 60069 USA



*Installation Guide*

**AP-7502 11ac Wireless Wallplate**

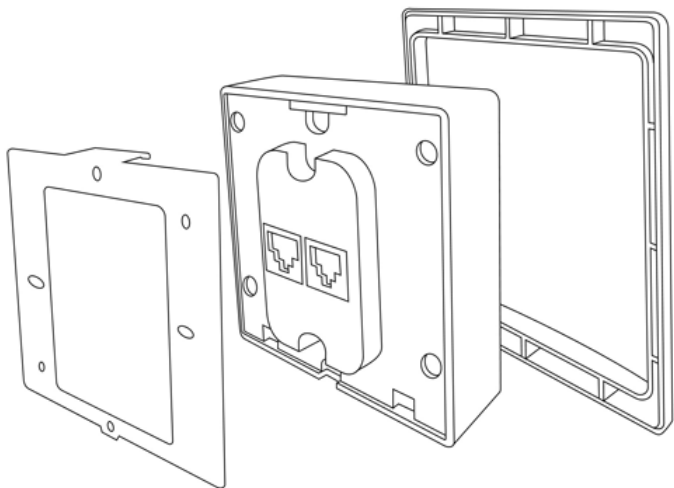
Management	telnet, SSH, HTTP, HTTPS, SNMPv2/v3
Antenna Configuration	2.4 GHz: 2 internal, 1x2, 2x2 MIMO, 5.8dBi peak gain 5 GHz: 2 internal, 1x2, 2x2 MIMO, 7.3dBi peak gain
Transmit Power	1dbm to 20dbm in 1dbm increments Actual transmit power is dependent upon national limits.
Bluetooth LE	2400-2483.5 KHz in 2 MHz channels
Operating Frequencies	802.11 operating frequencies: 2.4GHz @2400-2483.5 MHz, 5.2GHz @ 5150-5250 MHz, 5.725-5850 MHz, 5.250-5350MHz and 5470-5725MHz
PHY Data Rates	802.11b: 1, 2, 5.5, 11 Mbps 802.11g: 6, 9, 12, 18, 24, 36, 48, 54 Mbps 802.11n: MCS 0-15 up to 300 Mbps 802.11ac: MCS 0-9 up to 867 Mbps
Network Standards	802.11 a/b/g/n/ac, 802.11d, 802.11i, WPA, WMM
Medium	DSSS, OFDM, MCS, HT
Port Out	One FE port with 802.3at output based on 802.3 at input
LAN Interfaces	3 x IEEE 802.3 10/100Mb, auto-sensing via RJ-45
WAN Interface	Auto-sensing 10/100/1000Mbps, Full/Half Duplex, with PoE receiving capability via RJ-45
Wireless Interface	Dual Radio, 802.11a/b/g/n/ac: 2.4 GHz and 5 GHz

**AP-7502 Wireless Wallplate Specifications**

**Installing the AP-7502 Wallplate**

The AP-7502 wallplate can be installed over an existing structured wiring wallplate. When installing the wallplate over an existing 70mm x 115mm wallplate as is commonly found in North America, South America and Japan, install the decor facade (optional) only after the AP-7502 has been installed.

1. Remove the existing wallplate.
2. Install the wallplate mounting bracket.



3. Attach the bottom of the wallplate to the mounting bracket and rotate the wallplate until it snaps onto the latch.
4. Install the security screw provided (optional).
5. If desired, install the decor facade.

- This equipment should only be installed by qualified professional installers.
- Read all installation instructions and site survey reports, and verify correct equipment installation before installing this equipment.
- Remove jewelry and watches before installing this equipment.
- Verify proper wiring and grounding for each installation location.
- Verify there is adequate ventilation around the device, and that ambient temperatures meet equipment operation specifications (0° to 40° Celsius / 32° to 104° Fahrenheit).

**Warnings**



**WARNING!** Indicates a condition or procedure that could result in personal injury or equipment damage.



**CAUTION** Care is required. Disregarding a caution can result in data loss or equipment malfunction.



**NOTE** Tips, hints, or special requirements that you should take note of.

situations:

The following graphical alerts are used in this document to indicate notable

**Document Conventions**

The AP-7502 11ac Wireless Wallplate is designed to leverage the existing category 5/5e/6 cabling already in the walls of any enterprise building. Ideally suited for hotels, dormitory housing, and similar multi-tenant buildings, the AP-7502 provides high speed wireless LAN along with switched Ethernet and PoE output.

**Basic AP-7502 Configuration**

To provide the Access Point with a basic configuration and access WiNG management functions, open a browser and enter the IP address printed on the serial label on the Access Point: <https://<IP address of Access Point>>

Login to the system using the default username **admin** and password **admin123**.

1. On the **Configuration -> Basic Settings** screen, enter the **AP Name** and **Country Name**.

AP Name: \*

Country Name: \*

Virtual Controller:

Timezone:

Date & Time:  Hour:  Mins:   AM  PM

NTP Server:

2. On the **Configuration -> Wireless** screen, enter the desired **Name**, **SSID**, **Security**, and **WPA2 Key** parameters.

Name: \*

Enable:

SSID: \*   Client-To-Client Communication

Security:  Open  Secure-PSK  Secure-  Guest

Band:  2.4 GHz  5 GHz

VLAN: \*  (1 - 4094)

Description:

WPA2 Key: \*   Show  ASCII  HEX

Additional documentation is available at: [www.zebra.com/support](http://www.zebra.com/support)

**Regulatory Information**

This guide applies to Model Number AP-7502.

All Zebra devices are designed to comply with the rules and regulations in the locations they are sold and are labeled as required.

Any changes or modifications to Zebra equipment, not expressly approved by Zebra, could void the user's authority to operate the equipment.

When Zebra devices are professionally installed, the Radio Frequency Output Power will not exceed the maximum allowable limit for the country of operation.

Antennas: Use only the supplied or an approved replacement antenna. Unauthorized antennas, modifications, or attachments could cause damage and may violate regulations.

Declared maximum operating temperature: 40°C.

**Bluetooth® Wireless Technology**

This is an approved Bluetooth® product. For more information or to view End Product Listing, please visit <https://www.bluetooth.org/tpg/listings.cfm>

**Wireless Device Country Approvals**

Regulatory markings, subject to certification, are applied to the device signifying the radio(s) is/are approved for use in the following countries: United States, Canada, Japan, China, S. Korea, Australia, and Europe.

Please refer to the *Declaration of Conformity (DoC)* for details of other country markings. This is available at [www.zebra.com/doc](http://www.zebra.com/doc).

**Note:** Europe includes, Austria, Belgium, Bulgaria, Czech Republic, Cyprus, Denmark, Estonia, Finland, France, Germany, Greece, Hungary, Iceland, Ireland, Italy, Latvia, Liechtenstein, Lithuania, Luxembourg, Malta, Netherlands, Norway, Poland, Portugal, Romania, Slovak Republic, Slovenia, Spain, Sweden, Switzerland and the United Kingdom.



**Operation of the device without regulatory approval is illegal.**

**Country Selection**

Select only the country in which you are using the device. Any other selection will make the operation of this device illegal. Some Access Points are specifically designed to operate in certain countries (Example: -US for the United States, -EU for the European Union) .

**Frequency of Operation - FCC and IC**

**Industry Canada Statement**

**Caution:** The device for the band 5150-5250 MHz is only for indoor usage to reduce potential for harmful interference to co-Channel mobile satellite systems. High power radars are allocated as primary users (meaning they have priority) of 5250-5350 MHz and 5650-5850 MHz and these radars could cause interference and/or damage to LE-LAN devices.

**Avertissement:** Le dispositif fonctionnant dans la bande 5150-5250 MHz est réservé uniquement pour une utilisation à l'intérieur afin de réduire les risques de brouillage préjudiciable aux systèmes de satellites mobiles utilisant les mêmes canaux.

Les utilisateurs de radars de haute puissance sont désignés utilisateurs principaux (c.-à-d., qu'ils ont la priorité) pour les bandes 5250-5350 MHz et 5650-5850 MHz et que ces radars pourraient causer du brouillage et/ou des dommages aux dispositifs LAN-EL

**2.4 GHz Only**

The available channels for 802.11 b/g operation in the US are Channels 1 to 11. The range of channels is limited by firmware.



**Warnings for Use of Wireless Devices**

**Potentially Hazardous Atmospheres - Fixed Installations**

You are reminded of the need to observe restrictions on the use of radio devices in fuel depots, chemical plants etc. and areas where the air contains chemicals or particles (such as grain, dust, or metal powders).



**Safety in Hospitals**

Wireless devices transmit radio frequency energy and may affect medical electrical equipment. When installed adjacent to other equipment, it is advised to verify that the adjacent equipment is not adversely affected.

**Pacemakers**

Pacemaker manufacturers recommended that a minimum of 15cm (6 inches) be maintained between a handheld wireless device and a pacemaker to avoid potential interference with the pacemaker. These recommendations are consistent with independent research and recommendations by Wireless Technology Research.

Persons with Pacemakers:

- Should ALWAYS keep the device more than 15cm (6 inches) from their pacemaker when turned ON.
- Should not carry the device in a breast pocket.
- Should use the ear furthest from the pacemaker to minimize the potential for interference.
- If you have any reason to suspect that interference is taking place, turn OFF your device.

**Other Medical Devices**

Please consult your physician or the manufacturer of the medical device, to determine if the operation of your wireless product may interfere with the medical device.

